

MLS2000DF

White Cable { Blue: NEUTRAL
Brown: ACTIVE
Red: ONESWITCH™ INPUT
Orange: + ve } DIGITAL OUTPUT
White: - ve

Grey Cable { Purple: + ve } MLS BUS
Grey: - ve

*Check www.ecsaustralia.com/productguide.php for updates

energy conservation systems

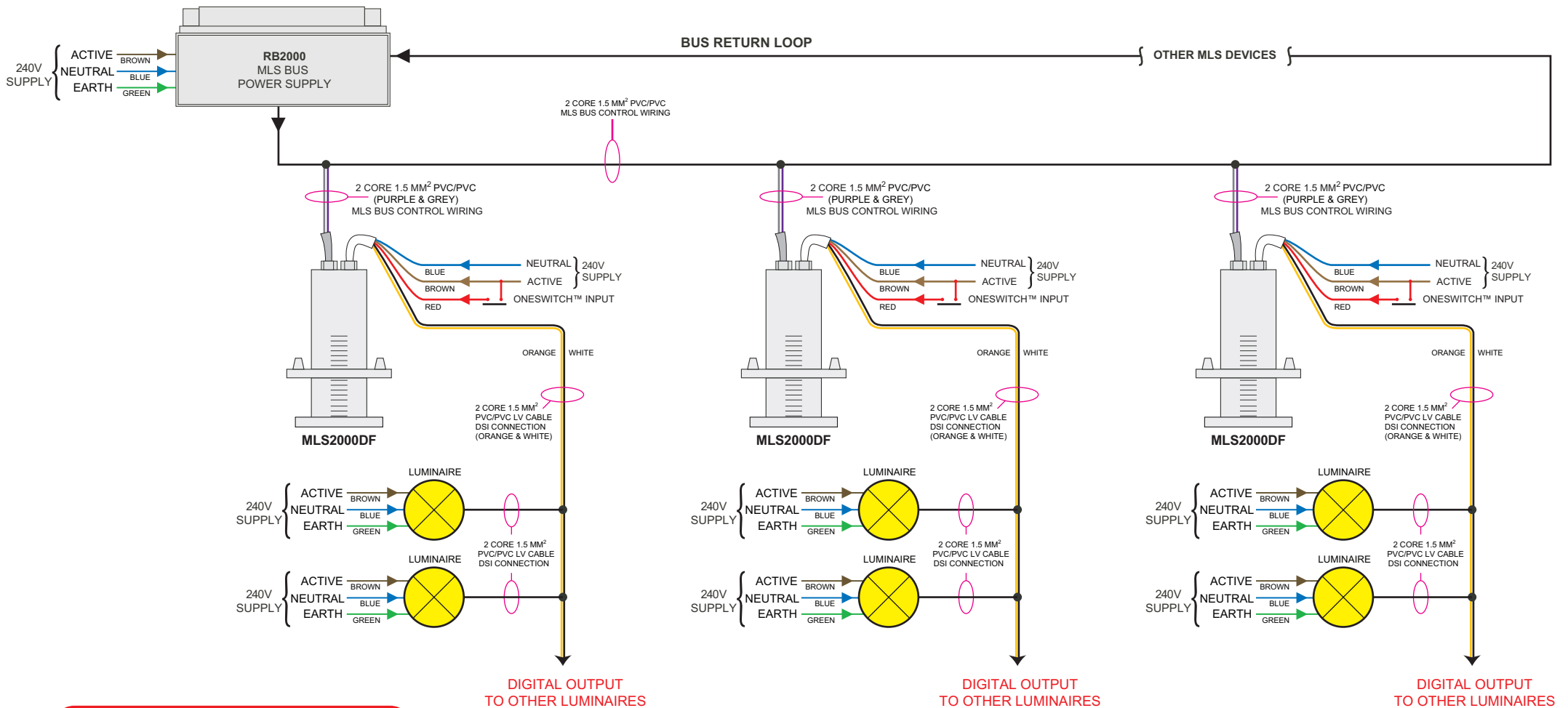
Head Office
40 Albert Road, South Melbourne, Victoria 3205, Australia
p 1300 731 392 f 03 8807 4601
w www.ecsaustralia.com e info@ecsaustralia.com

PROJECT
GENERAL INFORMATION

DRAWING NAME
MLS2000DF
MLS2000DF detector

Managed Lighting System - MLS2000 SERIES

V1.0MAR09



MLS2000DF

White Cable { Blue: NEUTRAL, Brown: ACTIVE, Red: ONESWITCH™ INPUT }

Orange: + ve } DIGITAL OUTPUT
White: - ve }

Grey Cable { Purple: + ve } MLS BUS
Grey: - ve }

*Check www.ecsaustralia.com/productguide.php for updates

energy conservation systems

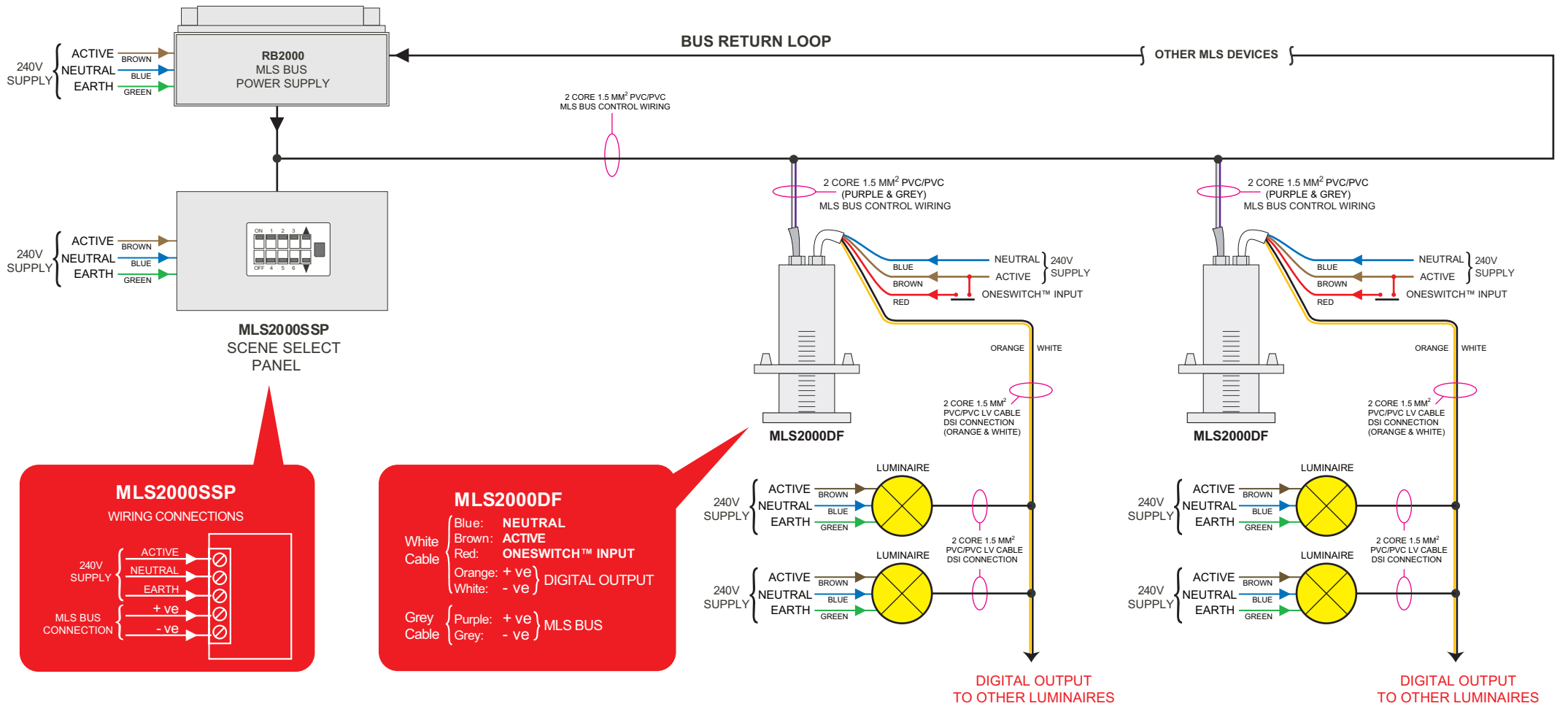
Head Office
40 Albert Road, South Melbourne, Victoria 3205, Australia
p 1300 731 392 f 03 8807 4601
w www.ecsaustralia.com e info@ecsaustralia.com

PROJECT GENERAL INFORMATION

DRAWING NAME
MLS2000DF SYSTEM LAYOUT
MLS2000 System with multiple MLS2000DF detectors

Managed Lighting System - MLS2000 SERIES

V1.0MAR09



MLS2000SSP
WIRING CONNECTIONS

240V SUPPLY	ACTIVE	↔	⊗
	NEUTRAL	↔	⊗
	EARTH	↔	⊗
MLS BUS CONNECTION	+ve	↔	⊗
	-ve	↔	⊗

MLS2000DF

White Cable	Blue: NEUTRAL	} DIGITAL OUTPUT
	Brown: ACTIVE	
	Red: ONESWITCH™ INPUT	
Grey Cable	Purple: +ve	} MLS BUS
	Grey: -ve	

*Check www.ecsaustralia.com/productguide.php for updates

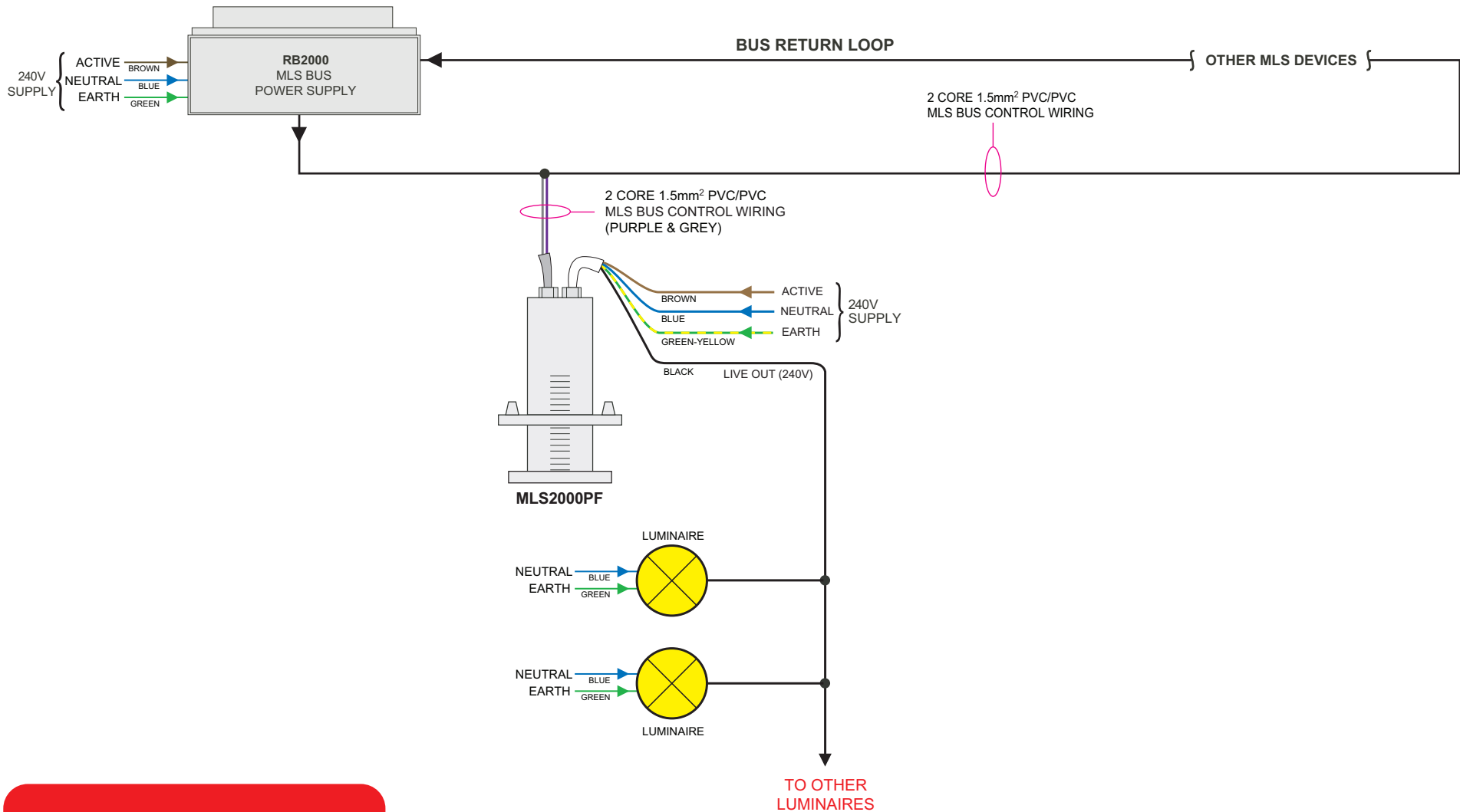
energy conservation systems

Head Office
40 Albert Road, South Melbourne, Victoria 3205, Australia
p 1300 731 392 f 03 8807 4601
w www.ecsaustralia.com e info@ecsaustralia.com

PROJECT
GENERAL INFORMATION

DRAWING NAME
MLS2000SSP SYSTEM LAYOUT
MLS2000 System with multiple MLS2000DF
detectors and SCENE SELECT PANEL

Managed Lighting System - MLS2000 SERIES



MLS2000PF

White Cable { Blue: NEUTRAL
Brown: ACTIVE
Green-Yellow: EARTH
(no internal connection)
Black: LIVE OUT

Grey Cable { Purple: + ve } MLS BUS
 Grey: - ve }

*Check www.ecsaustralia.com/productguide.php for updates



energy conservation systems

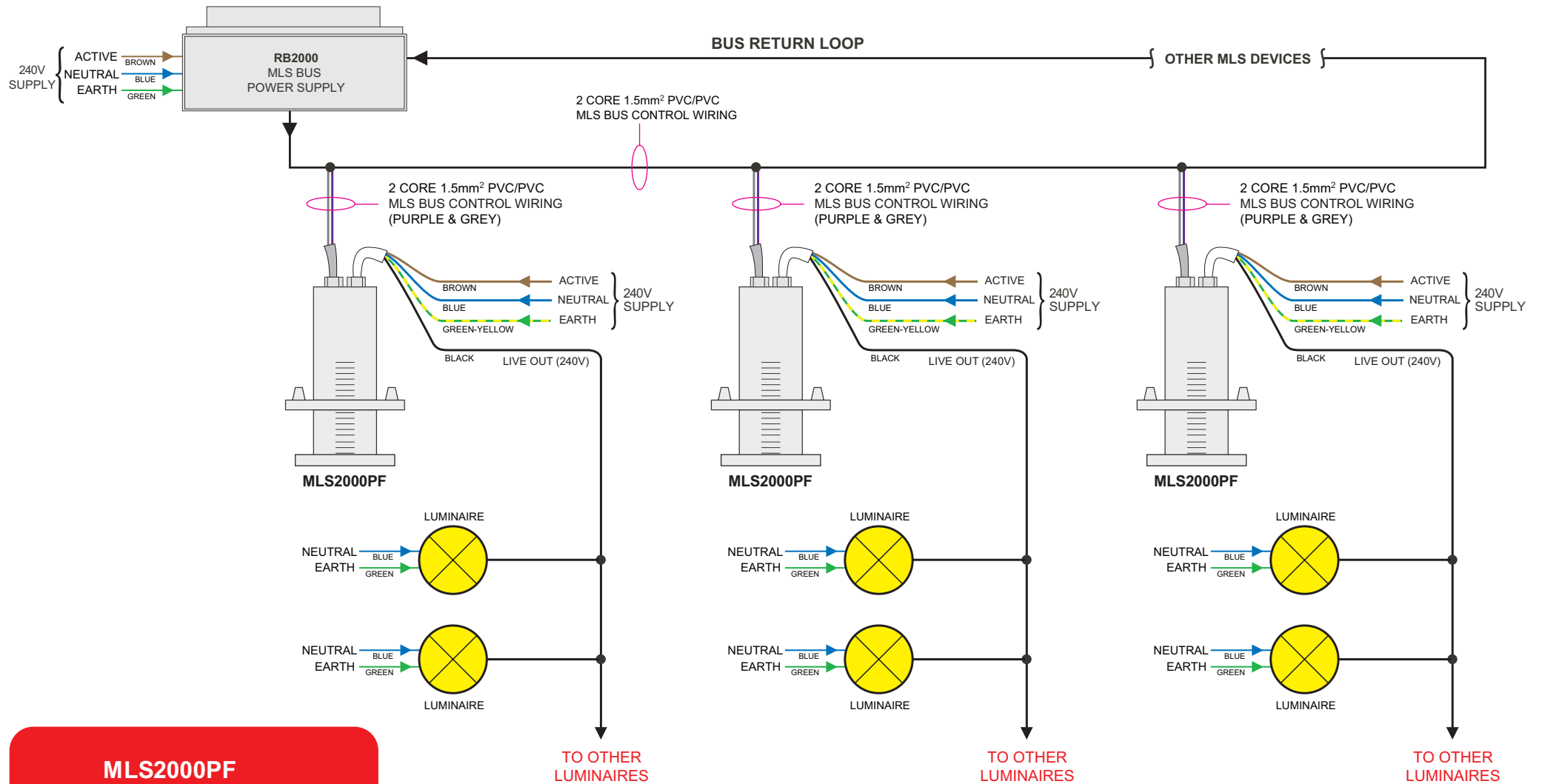
Head Office
40 Albert Road, South Melbourne, Victoria 3205, Australia
p 1300 731 392 f 03 8807 4601
w www.ecsaustralia.com e info@ecsaustralia.com

PROJECT
GENERAL INFORMATION

DRAWING NAME
MLS2000PF
MLS2000PF detector

Managed Lighting System - MLS2000 SERIES

V1.0MAR09



MLS2000PF

White Cable {
 Blue: NEUTRAL
 Brown: ACTIVE
 Green-Yellow: EARTH
 (no internal connection)
 Black: LIVE OUT

Grey Cable {
 Purple: + ve } MLS BUS
 Grey: - ve }

*Check www.ecsaustralia.com/productguide.php for updates

energy conservation systems

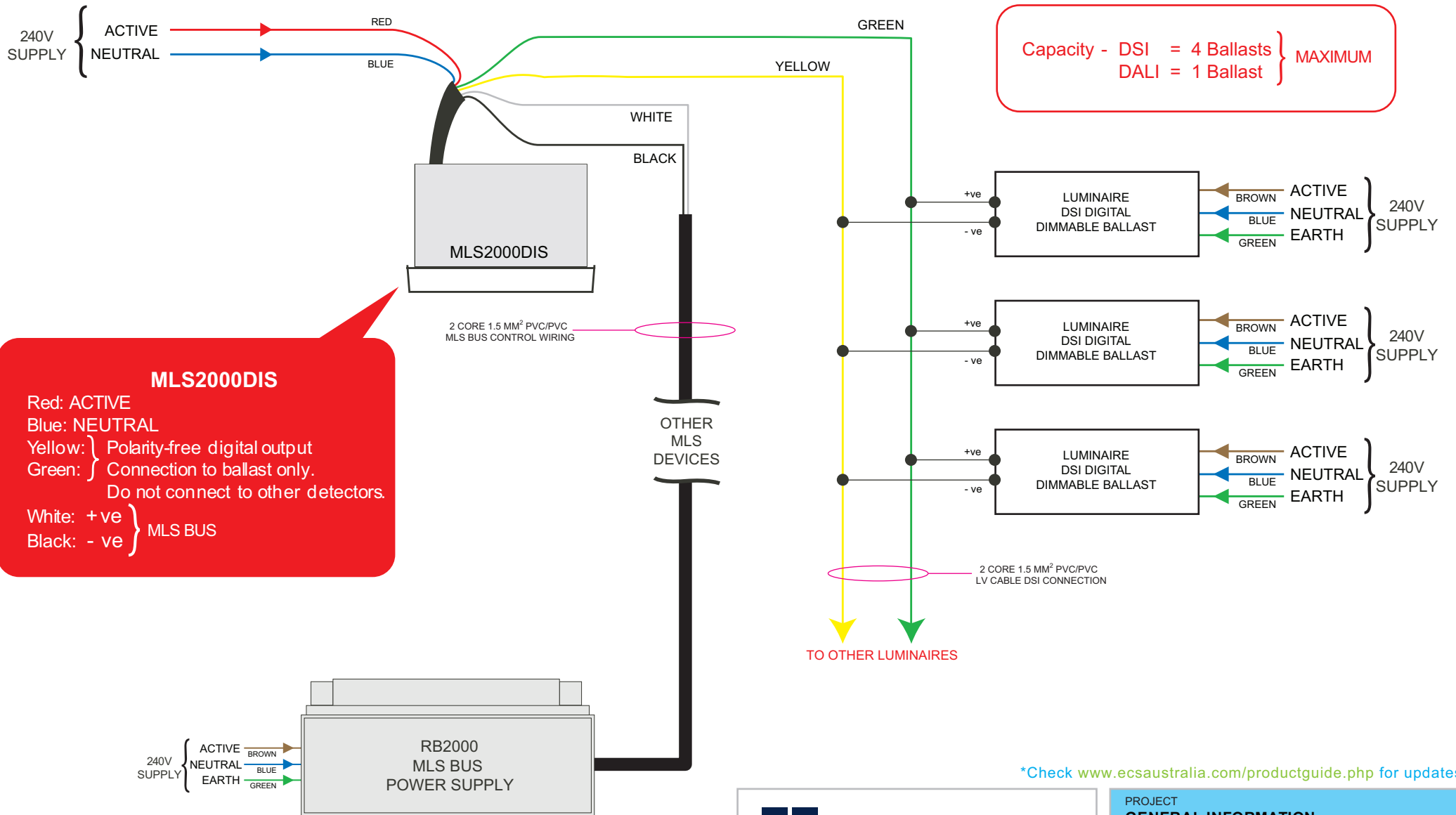
Head Office
 40 Albert Road, South Melbourne, Victoria 3205, Australia
 p 1300 731 392 f 03 8807 4601
 w www.ecsaustralia.com e info@ecsaustralia.com

PROJECT
GENERAL INFORMATION

DRAWING NAME
MLS2000PF SYSTEM LAYOUT
 MLS2000 System with multiple MLS2000PF detectors

Managed Lighting System - MLS2000 SERIES

V1.0MAY09



*Check www.ecsaustralia.com/productguide.php for updates

energy conservation systems

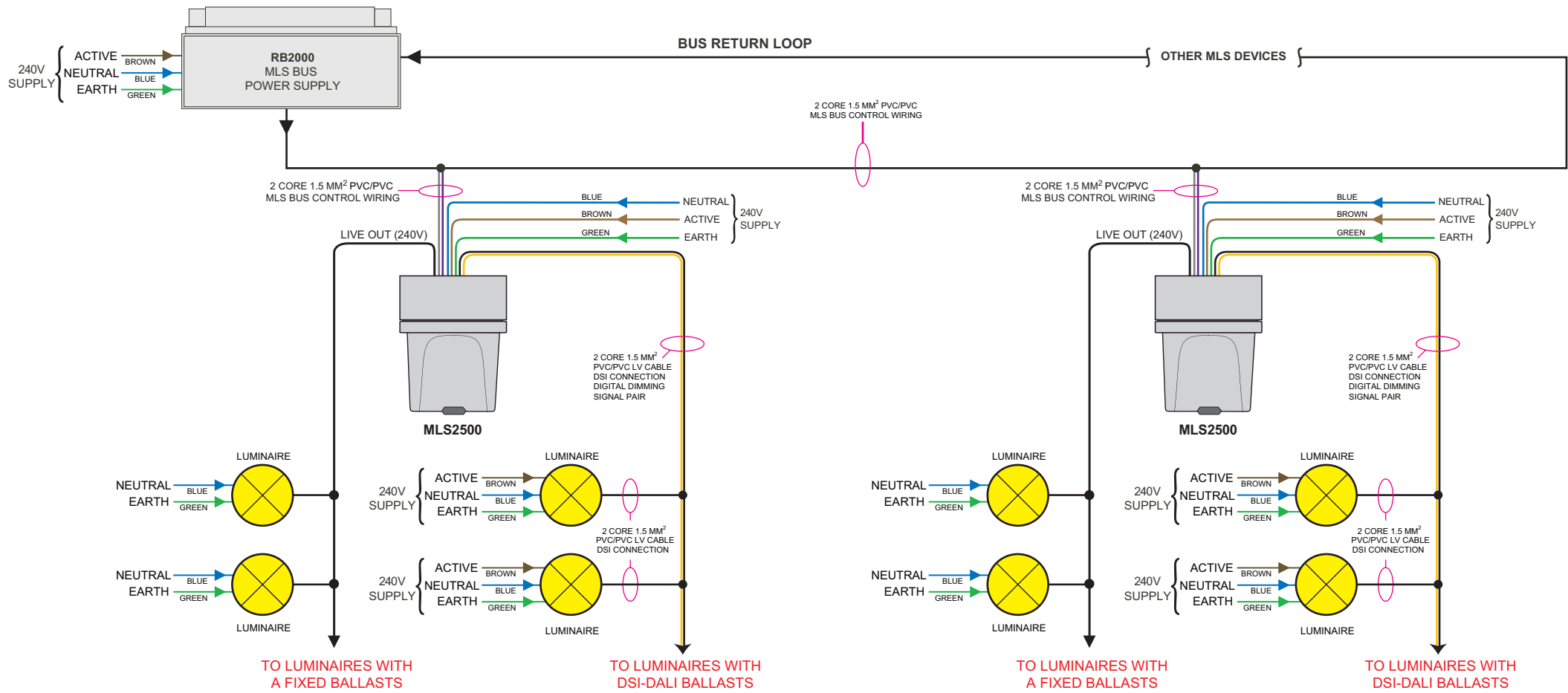
Head Office
 40 Albert Road, South Melbourne, Victoria 3205, Australia
 p 1300 731 392 f 03 8807 4601
 w www.ecsaustralia.com e info@ecsaustralia.com

PROJECT
GENERAL INFORMATION

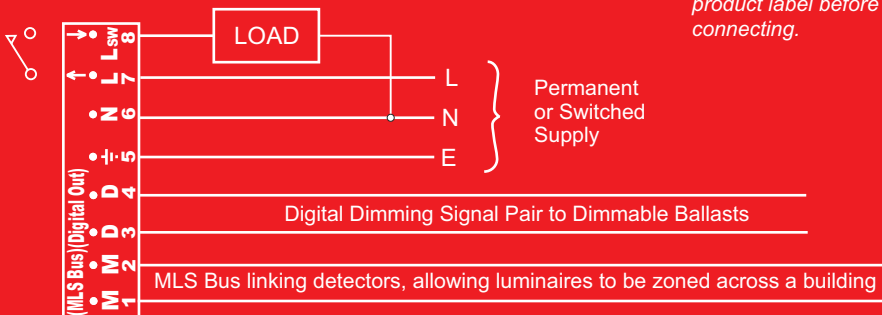
DRAWING NAME
MLS2000DIS
 MLS2000DIS detector

Managed Lighting System - MLS2000 SERIES

V1.0MAR09



MLS2500 DETECTOR TERMINALS



*Check www.ecsaustralia.com/productguide.php for updates



Head Office
40 Albert Road, South Melbourne, Victoria 3205, Australia
p 1300 731 392 f 03 8807 4601
w www.ecsaustralia.com e info@ecsaustralia.com

PROJECT
GENERAL INFORMATION

DRAWING NAME
MLS2500 SYSTEM LAYOUT
MLS2500 System with multiple MLS2500 detectors

Managed Lighting System - MLS2500 SERIES