

MICROLITE

MR2500 SERIES MICROWAVE PRESENCE DETECTORS

The Mid Range Regulating LightSpot is a high-performance, directional presence detector with built-in photocell for use in almost any internal space. It is ideal for larger classrooms, conference rooms, longer storage aisles etc. It is a self-contained unit, making installation simple and straightforward.

Mid Range Regulating LightSpot offers the following features:



Active presence detection by microwave technology.



Regulating photocell actively monitors ambient light levels and adjusts the light output accordingly (dimnable control gear only).



Incorporates simple scene-setting - up to six scenes can be set via user remote.



5-60

Off delay in minutes following the last observed movement after which the lights switch off.



20m

Detection pattern and range in metres under normal operating conditions.



Dual circuit control. Digital output always influenced by photocell, relay output can be influenced by photocell if configured.



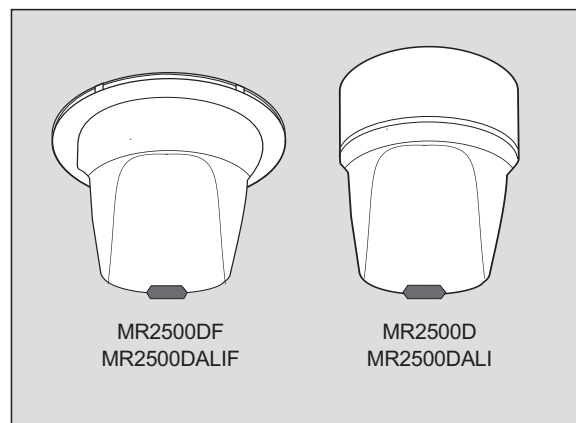
Hand-held Controllers provide local user override.



Remote programming with the HP2000 (operates at 5m range) ensures changes can be easily accommodated.



OneSwitch Dimming. Manual input to adjust light level or turn luminaires on or off.



Ref: D4074B

Scene-setting

Users can set up to six lighting scenes by infrared remote control and recall them with the single press of a button.

Entry and Exit Scenes

The entry scene is automatically selected when the area becomes occupied. Similarly, there is an option to select an Exit Scene for when an area is vacated.

Ballast Compatibility

Mid Range Regulating LightSpot is available for fixed-output high-frequency ballasts and dimmable DSI and DALI ballasts.

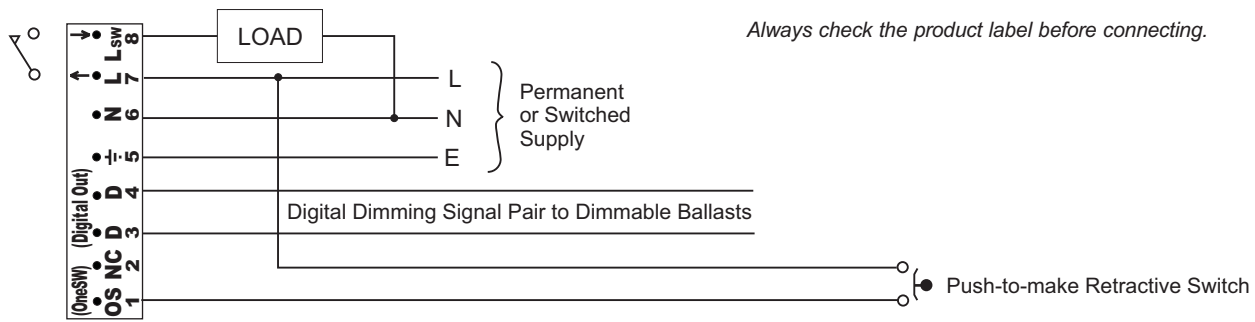
Dual Output

Manual control of digital and relay outputs with OneSwitch dimming or hand-held controller.

Commissioning and Programmable Parameters

Operation is determined by how the unit is commissioned. Commissioning and re-commissioning are carried out using a menu-driven, infrared remote programmer (HP2000) with virtually no disturbance to the building's occupants. As the programmer has a range of 5 metres, ladders or platforms are seldom required.

Wiring Diagram



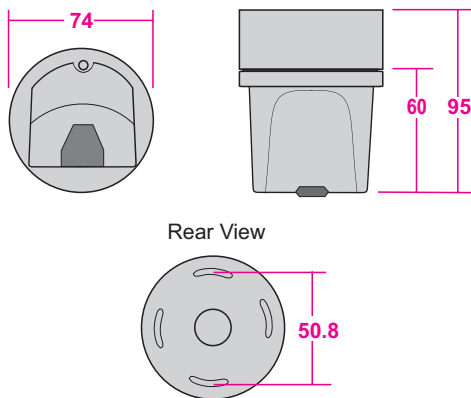
Relay outputs may be connected in parallel to cover larger areas with multiple detectors but the total load switched by the parallel combination should not exceed 10 Amps.

Digital Dimming Signal Outputs MUST NOT be connected, in parallel or in series, to those of another detector.

The diagram above shows a fully utilised unit, controlling both dimmable and non-dimmable luminaires. In the simplest installation, controlling only non-dimmable loads, just the mains supply and the switched live output would be required.

Note: Do not mount within 25cm of a luminaire.

Dimensions



Installation

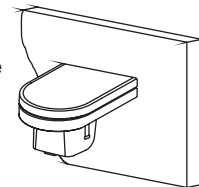
Surface version (MR2500D/MR2500DALI)

The back-box can be secured directly to a hard surface or to a conduit stop end box.

Semi-flush version (MR2500DF/MR2500DALIF)

Use a hole saw to drill a 76mm hole into the ceiling tile. The flush ring is designed to clamp the tile between its two halves.

Note: For wall mounting, use the WMK wall-mounting kit.



Ancillary Items



HP2000 MLS Programmer
Menu-driven LCD Programmer with automatic equipment recognition and parameter download facilities.



HC6 Two-button Hand-held Controller
Note: The HC5 Universal Hand-held Controller is also suitable for use with these detectors.

Technical Data

MAXIMUM RECOMMENDED MOUNTING HEIGHT: 3.5m
 RANGE: Adjustable up to 20m
 OFF DELAY: 5-60 minutes - adjustable
 PHOTOCELL: Adjustable 50-5000 lux
 OPERATING VOLTAGE: 230V ~ 50Hz (UK & Europe)
 PRODUCT RATING & RECOMMENDED CIRCUIT PROTECTION: 10 Amps
 MAXIMUM RECOMMENDED LOAD: L_{sw} : 10 Amps
 MAXIMUM RECOMMENDED LOAD (DSI/DALI): 25 Ballasts
 COLOUR: White
 MATERIAL: Flame retardant PC/ABS
 WEIGHT: 160g
 IP RATING: Guidance only: 43 - ceiling mounted
 4X - wall mounted

Ref: D4074B

Part Numbers

Mid Range Regulating LightSpot with photocell:

MR2500D	for DSI ballasts - surface mounted
MR2500DF	for DSI ballasts - semi-flush mounted
MR2500DALI	for DALI ballasts - surface mounted
MR2500DALIF	for DALI ballasts - semi-flush mounted

Ancillary Items

HP2000	MLS Digital Programmer
HC6	Two-button Hand-held Controller c/w wall bracket
HC5	Universal Hand-held Controller c/w wall bracket
WMK	Wall-mounting Kit
MRFK	Semi-flush Mounting Kit