

*Check www.ecsaustralia.com/productguide.php for updates



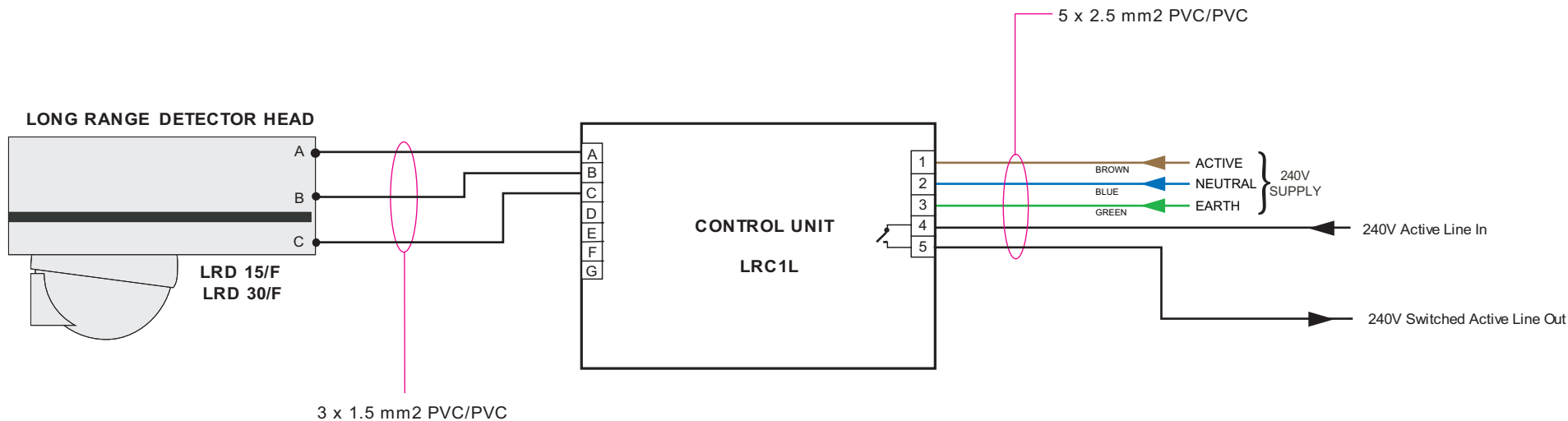
Head Office
 40 Albert Road, South Melbourne, Victoria 3205, Australia
 p 1300 731 392 f 03 8807 4601
 w www.ecsaustralia.com e info@ecsaustralia.com

PROJECT
GENERAL INFORMATION

DRAWING NAME
MS1500SP Ultrasonic Movement Detector
 Wiring Diagram

Self-Contained Detector Range

V1.0JUN09



*Check www.ecsaustralia.com/productguide.php for updates

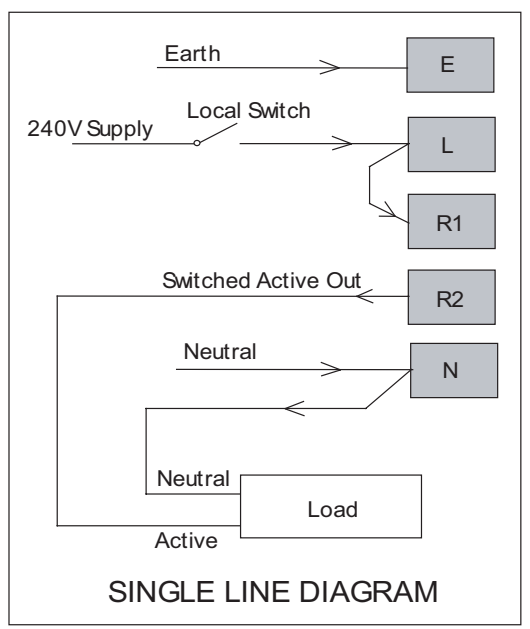
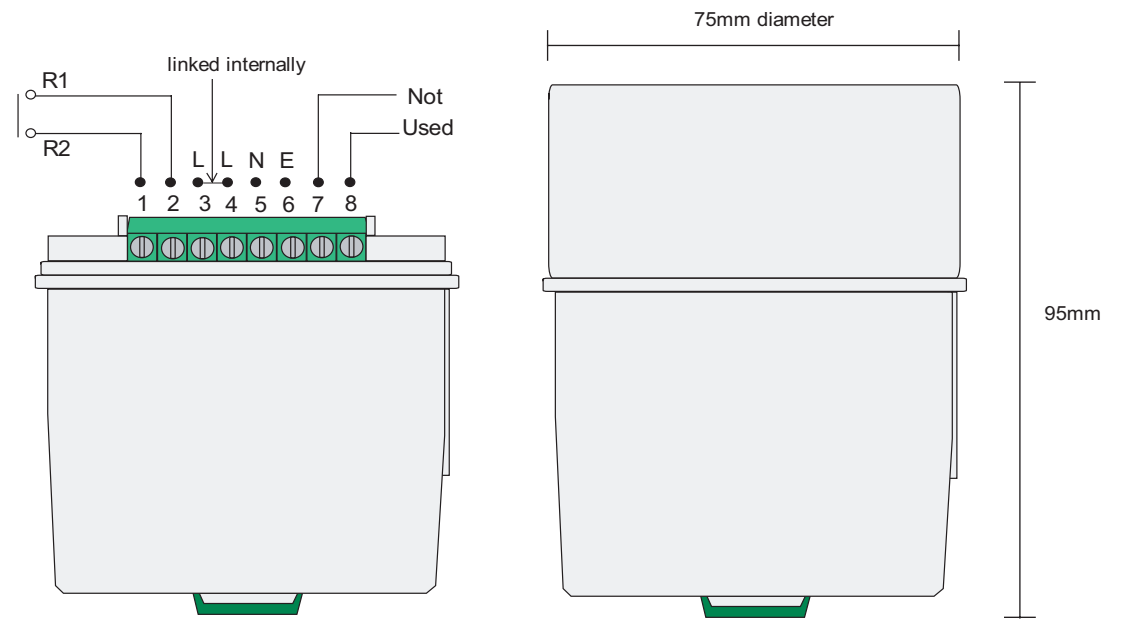
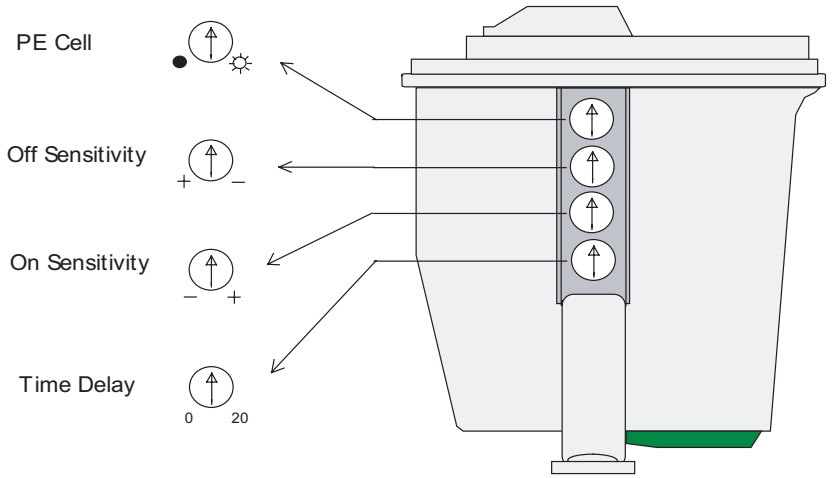


Head Office
40 Albert Road, South Melbourne, Victoria 3205, Australia
p 1300 731 392 f 03 8807 4601
w www.ecsaustralia.com e info@ecsaustralia.com

PROJECT
GENERAL INFORMATION

DRAWING NAME
LRD Detector Head & LRC1L Control Unit
Wiring Diagram

Self-Contained Detector Range



*Check www.ecsaustralia.com/productguide.php for updates

energy conservation systems

Head Office
 40 Albert Road, South Melbourne, Victoria 3205, Australia
 p 1300 731 392 f 03 8807 4601
 w www.ecsaustralia.com e info@ecsaustralia.com

PROJECT
GENERAL INFORMATION

DRAWING NAME
MR1500P Microwave Movement Detector
 Wiring Diagram

Self-Contained Detector Range

V1.0JUN09