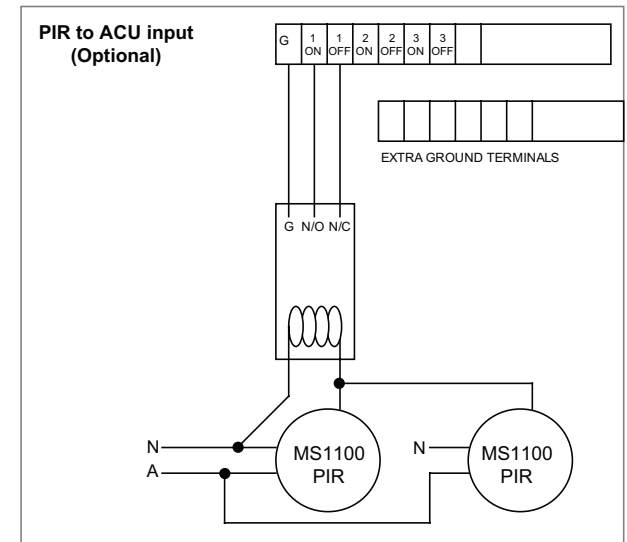


DIL SWITCH SETTINGS FOR SINGLE CHANNEL DECODER UNIT (8210.00)

Switch Position	ON	OFF
1	Monitor Output Isolated	Monitor Output Connected
2	Power up ON	Power up OFF
3	Auto OFF Only	Auto ON and OFF
4	Inhibit Function OFF	Inhibit Function ON



*Check www.ecsaustralia.com/productguide.php for updates



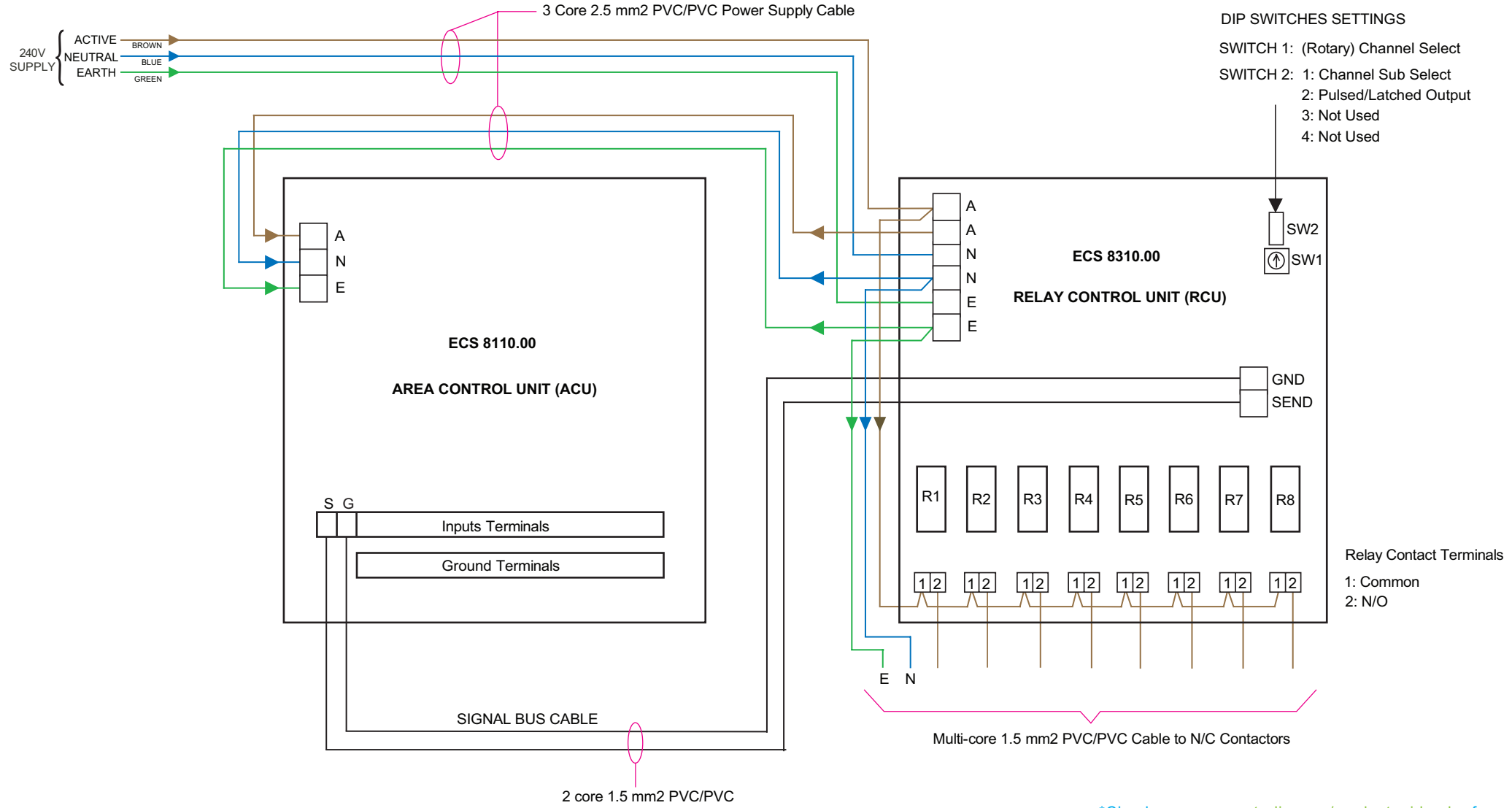
Head Office
40 Albert Road, South Melbourne, Victoria 3205, Australia
p 1300 731 392 f 03 8807 4601
w www.ecsaustralia.com e info@ecsaustralia.com

PROJECT
GENERAL INFORMATION

DRAWING NAME
ECS 8110.00 & ECS 8210.00
Wiring Diagram

Time Based Control System - 8000 SERIES

V1.0MAR09



*Check www.ecsaustralia.com/productguide.php for updates

energy conservation systems

Head Office
 40 Albert Road, South Melbourne, Victoria 3205, Australia
 p 1300 731 392 f 03 8807 4601
 w www.ecsaustralia.com e info@ecsaustralia.com

PROJECT
GENERAL INFORMATION

DRAWING NAME
ECS 8110.00 ACU & ECS 8310.00 RCU
 Wiring Diagram

Time Based Control System - 8000 SERIES

V1.0AEP09